

## ADS100F Series

100Watts, Single Output



T Version

E Version

Dimensions: 100(D)x48.5(W)x107(H) mm

### Features

- High power density
- Universal input range
- Convection cooled
- RoHS compliance
- 3 year warranty
- Great reliability
- DIN Rail / Wall bracket mounting solution
- Optional alarm signal / Redundant function
- Over voltage protection
- Overload protection
- Short circuit protection

### Safety Standards



EN 60950 (Marking)

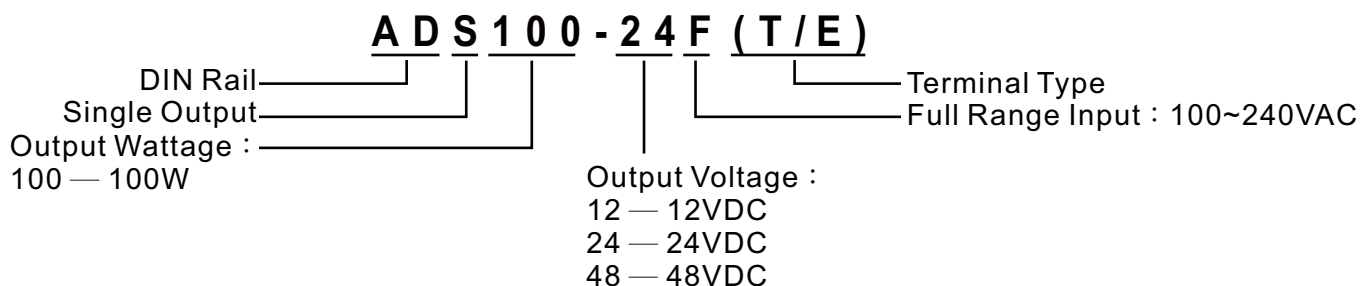
### EMC Standards

EN55011	Class B
EN55022	Class B
EN61000-4-2	Level 3
EN61000-4-3	Level 3
EN61000-4-4	Level 3
EN61000-4-5	Level 3
EN61000-4-6	Level 3
EN61000-4-8	Level 3
EN61000-4-11	Level 3

### Model List

Model	O/P Voltage Adjustment	Min.	Loading Rated	Max.	Ripple Noise	Efficiency	Over Voltage Protection
ADS100-12F(T/E)	+12VDC±10%	0A	8.0A	8.0A	100mVp-p	82%	15~17VDC
ADS100-24F(T/E)	+24VDC±10%	0A	4.0A	4.0A	150mVp-p	85%	27~30VDC
ADS100-48F(T/E)	+48VDC±10%	0A	2.0A	2.0A	250mVp-p	86%	52~57VDC

### Model Encoding



Website: <http://www.acro-powers.com/>  
 E-mail: [service@acro-powers.com](mailto:service@acro-powers.com)  
 Tel: +886-2-22675015 Fax: +886-2-22674939



### Specification

General	
Switching Frequency	85kHz
Isolation Voltage	Input-Output 3000VAC /4242VDC
	Input-FG 1500VAC/2121VDC
	Output-FG 500VAC/ 710VDC
Isolation Resistance	100MΩ when Input-Output @500VDC
Operating Temperature	-40°C~50°C ambient
Derating	2.5% per degree from 50°C to 70°C
Storage Temperature	-40°C to +85°C
Relative Humidity	5%~95% RH, Non-condensing.
Temperature Coefficient	±0.04% of output voltage per °C
MTBF	60,000hrs Min. Per MIL-HDBK-217F, 25°C GB
Attitude During Operation	2000m
Installation position	Vertical
Vibration	Random Vibration, 10~500Hz. 3 axis
Input	
Input Voltage	100~240VAC/120~370VDC
Input Frequency	47~63Hz
Inrush Current (cold start)	22A/115VAC 44A/230VAC
Rated Input Current	1.5A Max., Vi=100~240VAC
Leakage Current	Input-output 0.25mA, Input-FG 3.5mA, Vi=250VAC
Output	
Output Voltage accuracy	±1%
Minimum Load	0%
Line Regulation	±1%, measuring from low line to high line rated load
Load Regulation	±1%, measuring from 20% to 100% of rated load 230VAC input
Voltage Trim Range	±10%
Rated Continuous Loading	8A@12VDC, 4A@24VDC, 2A@48VDC
Hold Up Time	20mS Min., Full load@230VAC.
Turn On Time	1300mS
Rise Time	13mS
Fall Time	25mS

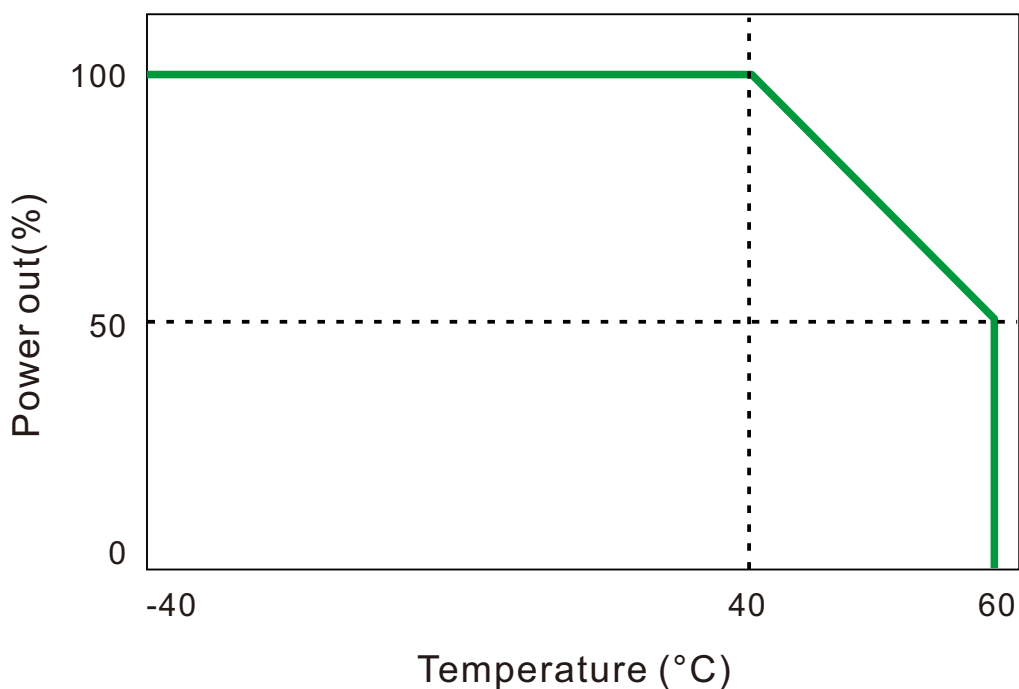
Website: <http://www.acro-powers.com/>  
 E-mail: [service@acro-powers.com](mailto:service@acro-powers.com)  
 Tel: +886-2-22675015 Fax: +886-2-22674939



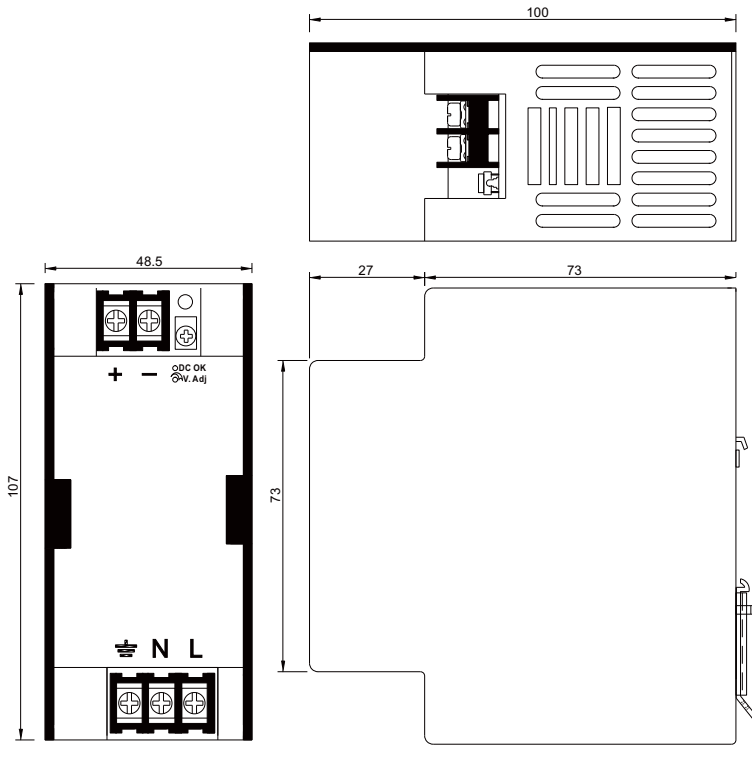
### Specification

Output		
Transient Response	Recovery Time	2mS, Load change 50% to 100%
	Voltage Deviation	5%, Load change 50% to 100%
Efficiency		See model list, measuring at rated load and 230VAC input
Ripple and Noise		See model list, measuring by using a 0.1 $\mu$ F/630V metalize capacitor and a 47 $\mu$ F electrolytic capacitor parallel on the test point, at rated load and 230VAC input.
Protection		
Input Fuse		3.15A/250V
Internal Surge Load Protection		Varistor, IEC6100-4-5
Degree of Protection		IP20
Short Circuit Protection		Autorecovery
Over Voltage Protection		Autorecovery
Rated Over Load Protection		160~200%
Overload protection		Power limited

### Derating Curve



## Mechanical Details

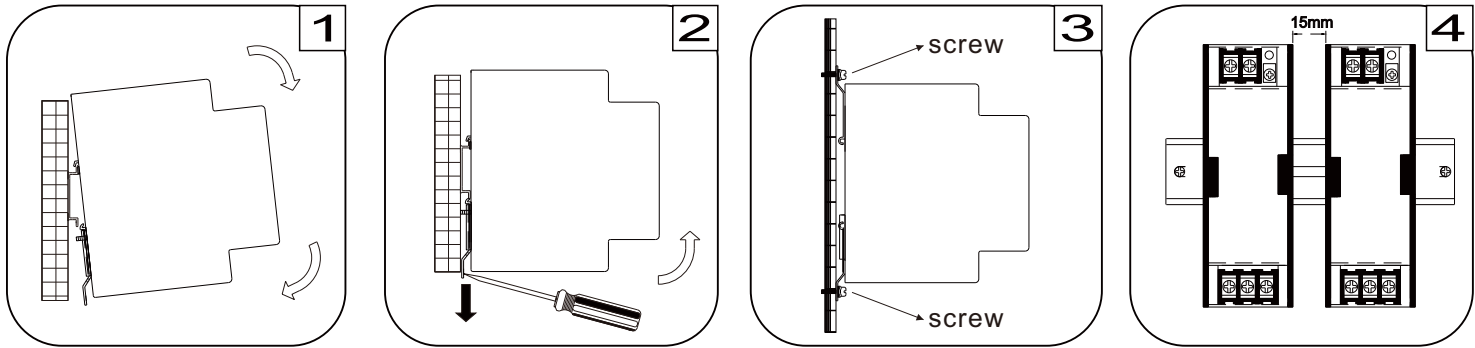


<b>Dimensions</b>	100(D)x48.5(W)x107(H)mm
<b>Case Material</b>	1.2mm Aluminum&Plastic

## Terminal Allocation

Designation	Description
DC OK	Green LED Indicator
V Adj.	O/P Voltage adjustment
+	Output Positive
-	Output Negative
⊕	Earth
N	Input Neutral
L	Input Line

## Installation instruction



Place the top of the ADS100F rail mount over the top of the DIN rail. Tilt the bottom of the ADS100F toward the DIN rail until it snaps into place.

To remove the ADS100F from the DIN rail, use a flathead screwdriver to pull down the bottom of the rail mount and tilt it away from the DIN rail.

To install ADS100F on wall/plate, pulling both mounting brackets out first. Then screwing the two brackets with screws onto wall/plate.

The vents of housing is designed for dissipating heat, please keeping a minimum distance of 15mm from each other.