



Dimensions: 175(D)x88(W)x55.5(H) mm

Features

- Universal AC input
- Built-in Fan cooled
- RoHS compliance
- 3 year warranty
- Great reliability
- Over voltage protection
- Short circuit protection
- Sparkle free design
- Reverse polarity protection

Safety Standards



EN 60950 (Marking)



UL 60335 (Meet)

EMC Standards

EN55011	Class B
EN55022	Class B
EN61000-4-2	Level 3
EN61000-4-3	Level 3
EN61000-4-4	Level 3
EN61000-4-5	Level 3
EN61000-4-6	Level 3
EN61000-4-8	Level 3
EN61000-4-11	Level 3

Model List

Model	Charging Voltage Boost	Charging Voltage Float	Charging current	Line Reg.	Load Reg.	Efficiency	Over Voltage Protection
AE1150C-12FC	14.7VDC	13.8VDC	12.5A Max.	±1%	±1%	82%	18~22VDC
AE1150C-24FC	29.4VDC	27.6VDC	6.0A Max.	±1%	±1%	85%	33~37VDC
AE1150C-36FC	44.1VDC	41.4VDC	4.0A Max.	±1%	±1%	85%	47~51VDC
AE1150C-48FC	58.8VDC	55.2VDC	3.0A Max.	±1%	±1%	86%	63~67VDC

- **NOTE:**
1. Line regulation is measured from low line to high line at rated load.
 2. Load regulation is measured from 20% to 100% of rated load at 230VAC input.
 3. Efficiency is measured at rated load and 230VAC input.

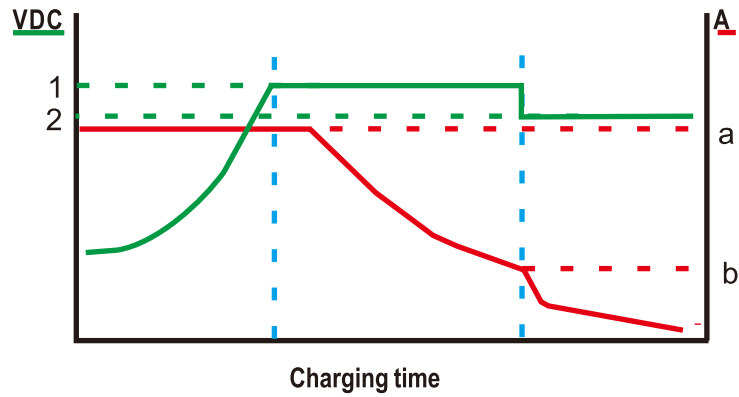
Specification

General		
Switching Frequency		85k Hz
Isolation Voltage	Input-Output	3000 VAC/4242 VDC
	Input-FG	1500 VAC/2121 VDC
	Output-FG	500 VAC/710 VDC
Isolation Resistance		100MΩ when Input-Output @500VDC
Operating Temperature		-20°C~40°C ambient
Storage Temperature		-40°C to +85°C
Relative Humidity		5%~95% RH, Non-condensing.
Temperature Coefficient		±0.04% of output voltage per °C
MTBF		60,000hrs Min. Per MIL-HDBK-217F, 25°C GB
Altitude During Operation		2000m
Installation position		Vertical
Vibration		Random vibration, 10~100Hz, 3 axes
Input		
Input Voltage		100~240VAC/120~370VDC
Input Frequency		47~63 Hz
Inrush Current (cold start)		22A/115VAC 44A/230VAC
Rated Input Current		4.0A Max., Vi=100~240VAC
Leakage Current		Input-output 0.25mA, Input-FG 3.5mA
Output		
Line Current Regulation		±1%, measuring from low line to high line at rated load.
Load Current Regulation		±1%, measuring from 20% to 100% of rated load at 230VAC input.
Rated Continuous Loading		See model list
Turn On Time		1500mS
Efficiency		See model list, measuring at rated load and 230VAC input.
Protection		
Input Fuse		3.15A/250V
Internal Surge Load Protection		Varistor, IEC 61000-4-5
Degree of Protection		IP64
Short Circuit Protection		Auto recovery
Over Voltage Protection		Auto recovery
Rated Over Load Protection		100%
Overload protection		Current limited

Website: <http://www.acro-powers.com/>
 E-mail: service@acro-powers.com.tw
 Tel: +886-2-22675015 Fax: +886-2-22674939

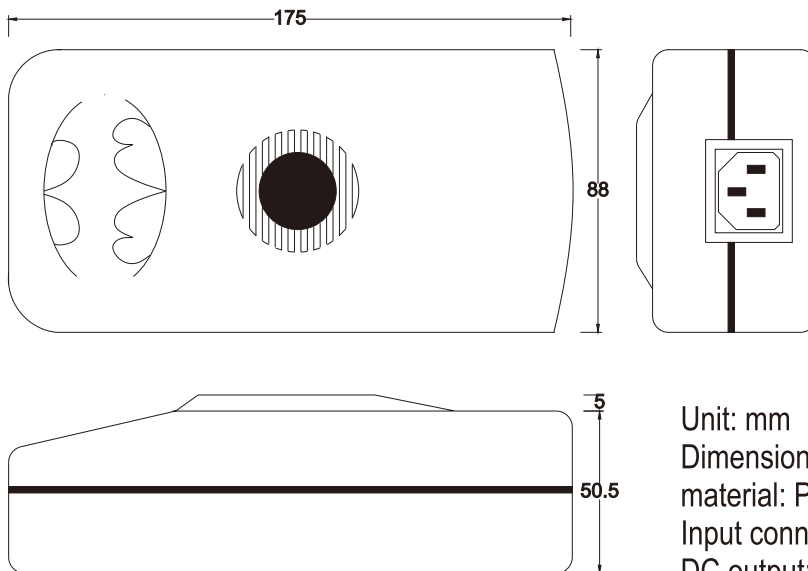
ACRO
ENGINEERING INC.

Charging Curve



Type Code	12V	24V	36V	48V
a (A)	12.5	6.0	4.0	3.0
b (A)	0.6	0.6	0.6	0.6
1 (VDC)	14.7	29.4	44.1	58.8
2 (VDC)	13.8	27.6	41.4	55.2

Mechanical Details



Unit: mm
 Dimensions: 175x88x55.5mm
 material: Plastic
 Input connection: IEC320 C14 socket
 DC output: 1.2m, 16AWG x2 + alligator clip